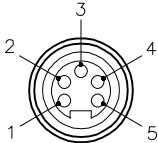
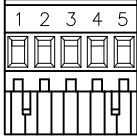

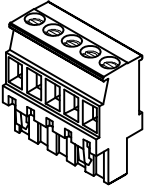
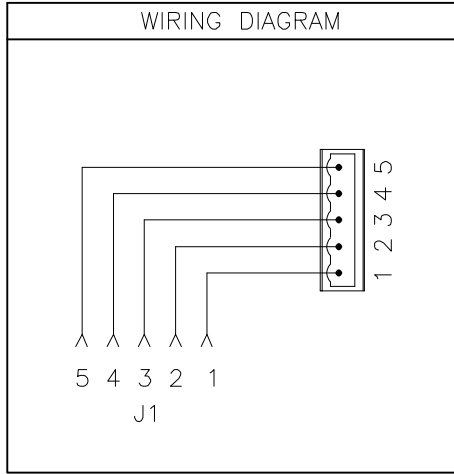
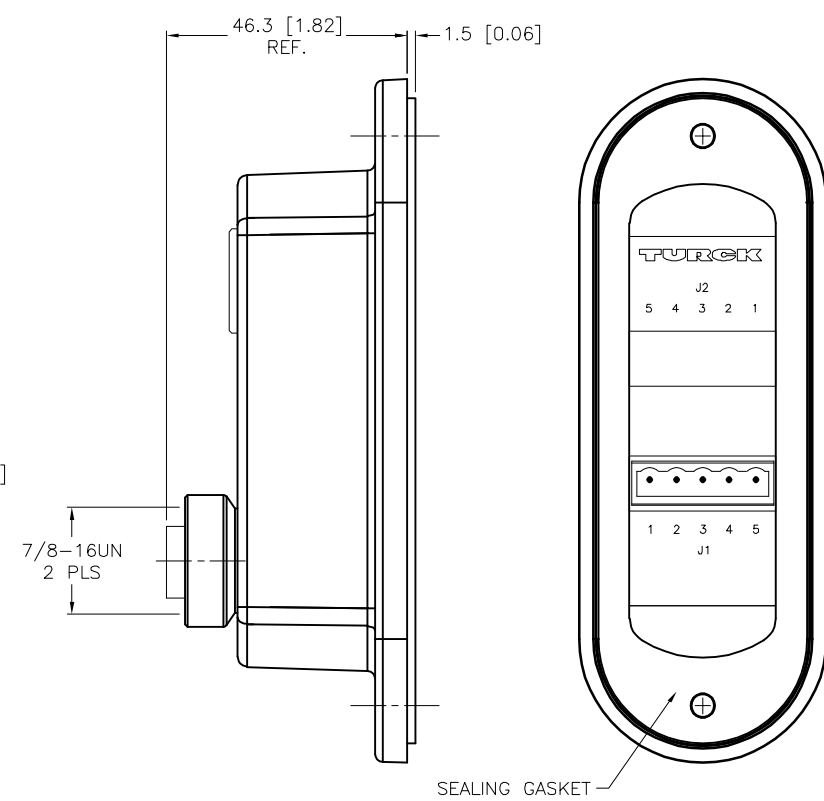
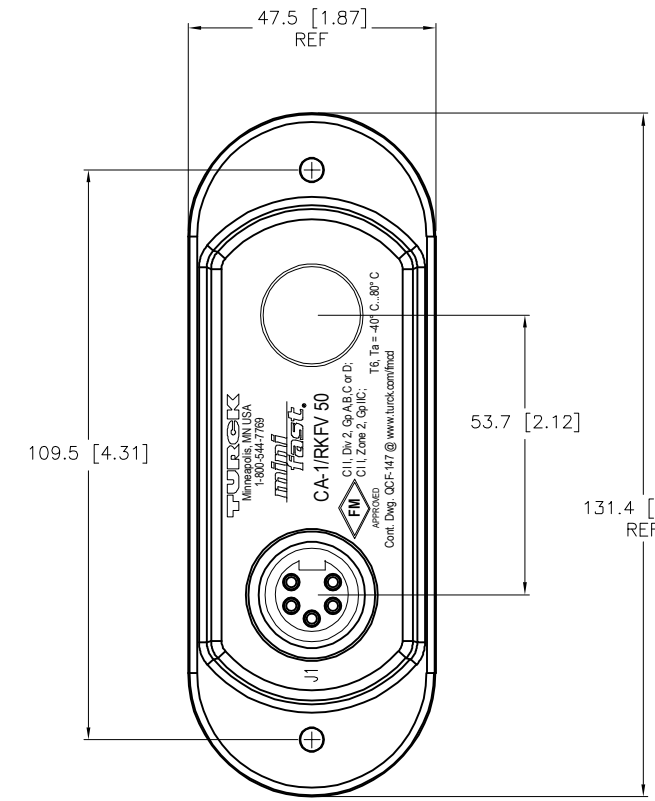
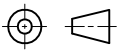


J1 CONNECTORS	TERMINAL BLOCK PLUG	COVER SCREWS INCLUDED	TERMINAL PLUG INCLUDED	SPECIFICATIONS	
		 <p>FORM 8 CONDUIT BODIES: 10-24 SCREWS</p> <p>MARK 9 CONDUIT BODIES: 8-32 SCREWS</p>		HOUSING MATERIAL/COLOR	NYLON 66 - 33% GLASS FILLED/BLACK
				RECEPTACLE HOUSING MATERIAL/FINISH	STAINLESS STEEL/PASSIVATED
				CONTACT CARRIERS/COLOR	TPU/BLACK
				CONTACT MATERIAL/PLATING	BRASS/GOLD
				OPERATING VOLTAGE	250 V
				OPERATING CURRENT	9.0 A PER CONDUCTOR
				PROTECTION CLASS to DIN 40050	IP 67 - ONLY WHEN ALL RECEPTACLES ARE COVERED WITH PLUGS OR CONNECTED
				OPERATING TEMPERATURE	-30°C to +80°C (-22°F to +176°F)



SOURCE DRAWING - FOR REFERENCE ONLY

RELATED DOCUMENTS 1. 2. 3. 4.	3RD ANGLE PROJECTION 	THIS DRAWING IS CONFIDENTIAL AND THE PROPERTY OF TURCK INC. USE OF THIS DOCUMENT WITHOUT WRITTEN PERMISSION IS PROHIBITED.	TURCK 3000 CAMPUS DRIVE MINNEAPOLIS, MN 55441 1-800-544-7769 (763) 553-7300 (763) 553-0708 fax www.turck.us
	MATERIAL SEE SPECIFICATIONS	ALL DIMENSIONS DISPLAYED ON THIS DRAWING ARE FOR REFERENCE ONLY	DRFT JBJ DATE 09/16/03 APVD SCALE 1=1.5
FINISH SEE SPECIFICATIONS	CONTACT TURCK FOR MORE INFORMATION	UNIT OF MEASUREMENT MILLIMETER [INCH] DO NOT SCALE THIS DRAWING	IDENTIFICATION NO. U0941-21 REV F
F UPDATED CLICHE AS 10/21/25 81451	BY DATE ECO NO.	FILE: U0941-21	SHEET 1 OF 1

F	UPDATED CLICHE	AS	10/21/25	81451
REV	DESCRIPTION	BY	DATE	ECO NO.